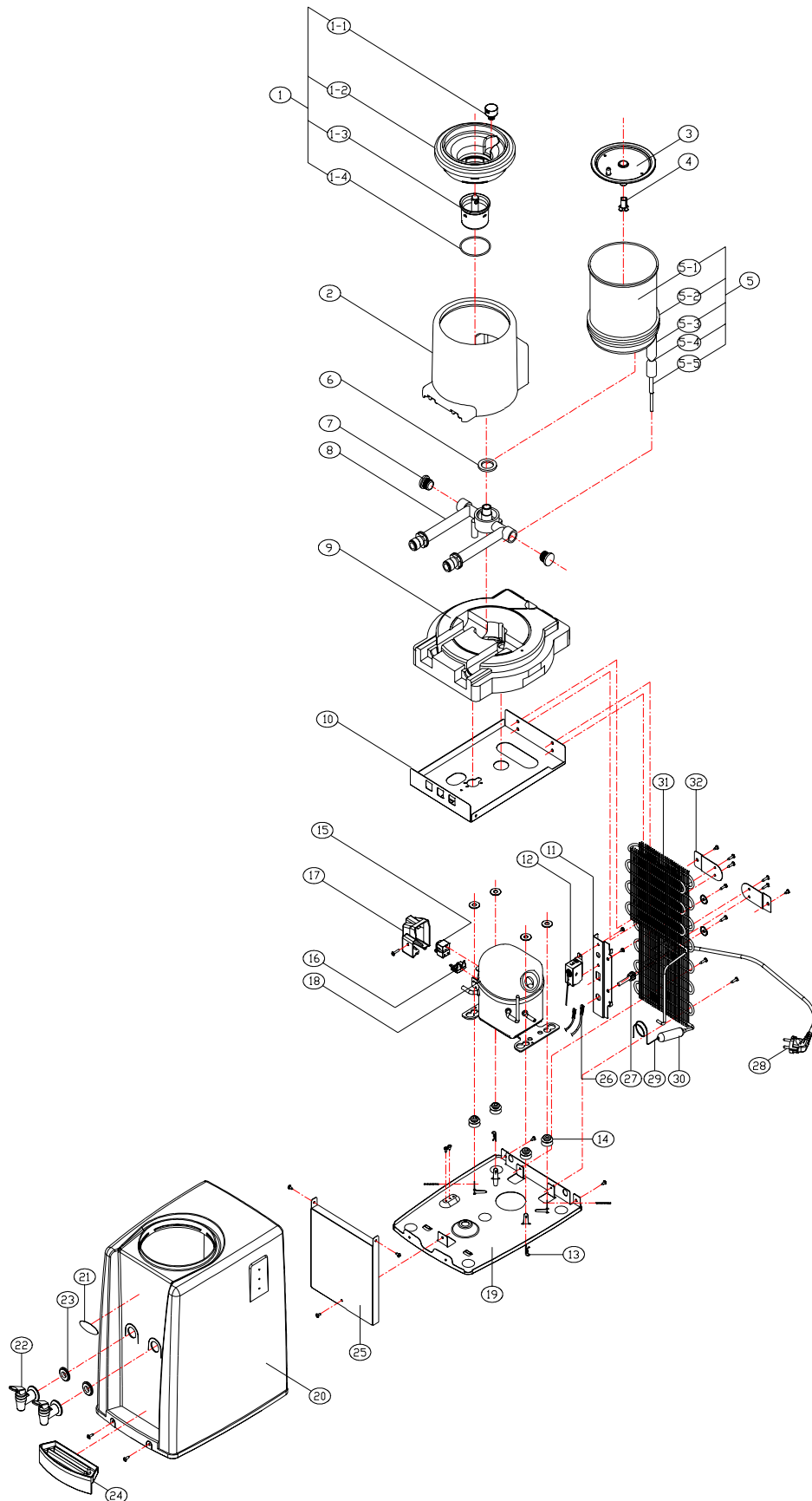


EXPLODED VIEW
MODEL: B9B



B9B SERVICE PARTS LIST

Updated December 30, 2008

No.	Part name	Part No.	Q'ty	No.	Part name	Part No.	Q'ty
1	No-Spill Kit (CN2-PC)	-	1	13	Split Pin	12-009-001	4
1-1	Air Filter Ass'y	24-101-008	1	14	Seat Rubber-Compressor	09-048-002	4
1-2	Bottle Guide	24-008	1	15	PTC	05-021-003	1
1-3	Probe Housing	03-111	1	16	OLP	05-020-003	1
1-4	Housing Packing	09-038	1	17	PTC Cover	05-022-001	1
2	Side Insulation-Cold Water Tank	08-022-001	1	18	Compressor	05-003B-029	1
3	Cold Water Baffle	03-107	1	19	Base-Compressor	02-051-001	1
4	Cold Water Tank Fitting Nut	03-067	1	20	Cabinet	03-115	1
5	Cold Water Tank Ass'y	-	1	21	Logo Label	11-005-022A	1
6	Cold Water Tank	02-003-010	1	22	Faucet Ass'y	23-002A-001A 23-002A-003A	2
6-1	Evaporator Copper Tube	10-002	1	23	Silicone Washer-Faucet	09-003	2
6-2	Cable Tie	17-003	1	24	Drip Tray	03-117	1
6-3	Insulation-Suction Tube	08-005-004	1	25	Support Panel	02-058	1
6-4	Heat Shrinkable Tube	05-005	1	26	Wire Ass'y	07-100-003	1
6-5	Silicone-Outlet Pipe	09-001	1	27	Cord Bushing	07-006-003	1
7	Plug-Partition Tube	09-039	2	28	Power Supply Cord	07-052-005	1
8	Partition Tube	03-113	1	29	Capillary Tube	10-003-003	1
9	Lower Insulation-Cold Water Tank	08-023-001	1	30	Drier	05-002-001	1
10	Base-Cold Water Tank	02-050-001	1	31	Wire Condenser	05-008-006	1
11	Control Panel	02-053-015	1	32	Hanger-Cold Water Tank	02-059	2
12	Cold Water Thermostat	07-001-001	1				